

THE PERFORMANCE LEADER IN TODAY'S COMMERCIAL RESTROOM

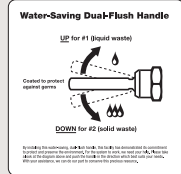
SLOAN[®]

FIXTURES



SLOAN®
TOILETS

Sloan commercial toilets are designed for offices, schools, airports and other facilities. Engineered for performance, you have a complete range of Flushometer options to select from to meet your specific application. (see chart on right)



WETS-2002.1002-1.6/1.1 WES-111
 1.6/1.1 gpf dual-flush bowl in standard height with WES-111

HET
 HIGH-EFFICIENCY TOILET



WETS-2022.1101-1.6/1.1 ECOS
 ADA height 1.6/1.1 gpf dual-flush bowl with Sloan ECOS® dual-flush



WETS-2052.1201-1.6/1.1 SOLIS
 Wall hung dual-flush bowl with Sloan SOLIS® dual-flush

FLUSHOMETERS

HIGH-EFFICIENCY TOILET SYSTEMS

Toilet gpf	Fixture Model	Floor Mount	Wall Hung	Top Spud	Rear Spud	ADA	Manual			Dual Flush			Electronic							
							Royal	Gem	Crown	WES-111	ECOS	SOLIS DF	SOLIS	ES-5	SMOOTH HW	G2	Royal SMO	SMOOTH	Gem SMO	Crown SMO
							.1001	.1004	.1006	.1002	.1101	.1201	.1201	.1301	.1302	.1401	.1402	.1403	.1404	.1406
1.28 gpf HET	WETS-2000	•		•			•	•	•				•	•	•	•	•	•	•	•
	WETS-2010	•			•		.1011							.1311						
	WETS-2020	•		•		•	•	•	•				•	•	•	•	•	•	•	•
	WETS-2030	•			•	•	.1011							.1311						
	WETS-2050		•	•			•	•	•				•	•	•	•	•	•	•	•
	WETS-2060		•		•		.1011							.1311						
1.6/1.1 gpf HET	WETS-2002	•		•						•	•	•								
	WETS-2022	•		•		•				•	•	•								
	WETS-2052		•	•						•	•	•								

TOILETS – 1.6 GPF Bowl Only

Toilet gpf	Fixture Model	Floor Mount	Wall Hung	Top Spud	Rear Spud	ADA
1.6 gpf	ST-2003	•		•		
	ST-2013	•			•	
	ST-2023	•		•		•
	ST-2033	•			•	•
	ST-2053		•	•		
	ST-2063		•		•	

Note: Minimum Flowing Pressure: 25 psi, Minimum Flowrate: 18 gpm

SLOAN

LAVS

No one except Sloan has the experience, the water-conservation innovation and the engineering expertise to deliver toilets, urinals and lavatories to meet today's demanding commercial fixture marketplace.

SS-3003

21" x 19½" wall hung lav with 4" backsplash



LAVS

Fixture	Model
SS-3000	19½" x 17" Standard Wall Hung, 4" centerset, small backsplash
SS-3001	19½" x 17½" outside, 17" x 14" inside dimension, Undermount, no holes
SS-3002	20" x 16¾" Drop-in, 4" centerset
SS-3003	21" x 19½" Standard Wall Hung, 4" centerset, with backsplash
SS-3004	20" X 27" ADA Wall Hung, 8" centerset

URINALS

Sloan offers the most extensive line of commercial fixture/Flushometer combinations. Sloan offers unique Urinal/Flushometer combinations to meet every application requirement.



SU-1005
 ½ gallon HEU shown with Sloan ECOS® single flush
 Fixture and valve sold separately



SU-1006
 1 gpf urinal shown with SMOOTH®
 Fixture and valve sold separately



WEUS-1002.1201-0.25 SOLIS
 ¼ gallon HEU with Sloan SOLIS®
 single flush



WEUS-1000.1001-0.13 ROYAL
 ¼ gallon HEU with manual
 Royal valve

FLUSHOMETERS

HIGH-EFFICIENCY URINAL SYSTEMS

Toilet gpf	Fixture Model	Top Spud	Rear Spud	FLUSHOMETERS						
				Manual	Electronic					
				Royal .1001	SOLIS .1201	ES-S .1301	SMOOTH HW .1302	ECOS .1401	SMO .1402	SMOOTH .1403
0.13 gpf	WEUS-1000	•		•	•	•	•	•	•	•
	HEU WEUS-1010		•	.1011		.1311				
0.25 gpf	WEUS-1002	•		•	•	•	•	•	•	•
	HEU WEUS-1012		•	.1011		.1311				

URINALS – 0.5 & 1.0 GPF Fixture Only

0.5 gpf	SU-1005	•	
	HEU SU-1015		•
1.0 gpf	SU-1006	•	
	SU-1016		•

Note: Minimum Flowing Pressure: 25 psi

INNOVATION... SPECIFICATION... SLOAN

Who better than Sloan to assume the leadership role in commercial fixtures?

Sloan is not new to the fixture business. Our fixture line is an extension of an engineering platform that has been the foundation of the plumbing industry for over 100 years.

- Sloan's long history of Flushometer design brings a unique understanding of fixture dynamics.
- Our pioneer efforts in pressure-assist technologies paved the way for tank-type pressure designs.
- Sloan, more than anyone, understands the relationship of bowl hydraulics and valve design.

The introduction of our commercial fixture offerings creates an industry-leading engineered system of toilets, urinals and lavatories.

Sloan engineering delivers what others cannot

Sloan engineering directed the entire manufacturing process of these fixtures. From concept to finished piece, the care and detail you've become so used to in our Flushometers has been transformed into today's commercial fixture/valve combination-systems that meet and exceed water conservation standards throughout the world.



WETS-2002.1201-1.6/1.1 SOLIS
1.6/1.1 gpf dual-flush bowl in standard height with Sloan SOLIS® dual-flush



WEUS-1000.1201-0.13 SOLIS
1/8 gallon HEU with Sloan SOLIS® single flush

Our products are unique. There's the dual-flush 1.6/1.1 gpf toilet – the only dual-flush labeled bowl certified by I.A.P.M.O. on the market today. Our 0.13 (1/8 gpf) and 0.25 (1/4 gpf) urinals are designed to perform while saving water. And because of the multitude of flushing options available to you (see chart inside), there's no other manufacturer that offers the breadth and range of commercial fixtures that Sloan does.

Today, with the launch of Sloan's commercial fixture line, you have the opportunity to specify and install the premier fixtures in the world – fixtures born of knowledge and Sloan engineering.

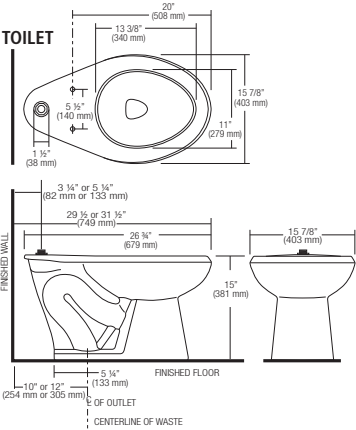


Sloan Valve Company is buying renewable energy certificates to meet 100% of the company's purchased electricity use at its Franklin Park, Illinois facility.

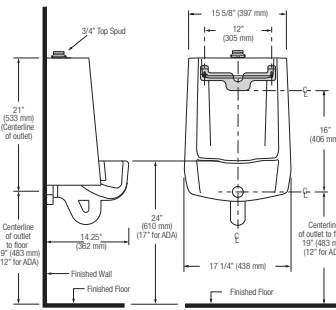


Listed by I.A.P.M.O.

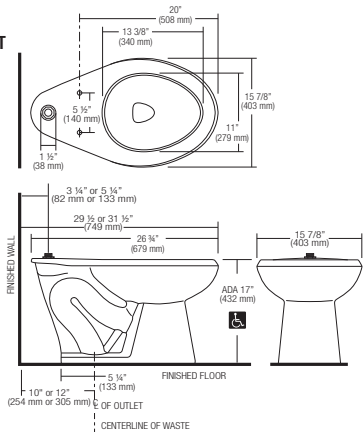
**WETS-2000
FLOOR MOUNT TOILET**



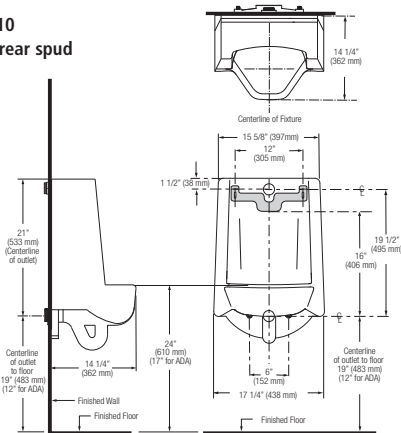
**WEUS-1000
URINAL - top spud**



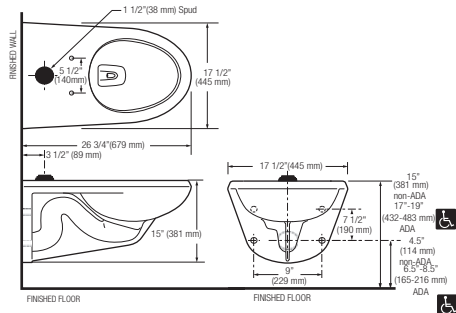
**WETS-2020
FLOOR MOUNT
ADA TOILET**



**WEUS-1010
URINAL - rear spud**



**WETS-2050
WALL HUNG TOILET**



COMMERCIAL FIXTURES BY SLOAN

For over 100 years, the plumbing industry has turned to Sloan for efficiency in driving water into fixtures. Now, that same industry can turn to Sloan for the fixtures themselves. Our knowledge, and the ability to extend our engineering expertise, delivers industry-leading fixture performance.

For more information, visit our website www.sloanvalve.com. Watch for updates as we continue to broaden our offering!

For more information on any Sloan product, contact:



Sloan Valve Company
10500 Seymour Avenue
Franklin Park, IL 60131

Phone: 800-9-VALVE-9
(982-5839)
Fax: 800-501-3989
www.sloanvalve.com

